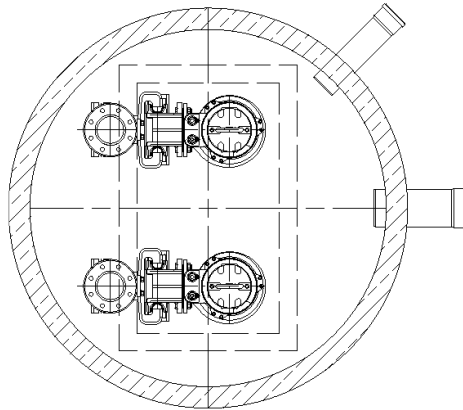


ABSTRACT

Pumps placed too close to one another in a basin can interfere with one another's pumping characteristics. HOMA recommends the following minimum dimensions for the centerline separation of these A Series pump models. Flanged piping may not fit within these dimensions. For your convenience, we have also provided recommended, but not required, hatch cover and basin sizing for each pump. (Dimensions in inches)



	Centerline Separation	Basin Diameter	Hatch Cover
AMS/X 434 (142-155)	22	60	24 x 42
AMS/X 434 (178-206)	22	60	24 x 42
AMS/X 434 (218-250)	24 1/4	72	30 x 42
AMS/X 444 (180-190)	22 3/4	72	30 x 42
AMS/X 444 (220-240)	24 1/4	72	30 x 42
AMS/X 444 (260-310)	28	96	36 x 54
AMS/X 446 (180-190)	22 3/4	72	30 x 42
AMS/X 446 (220-240)	24 1/4	72	30 x 42
AMS/X 446 (260-310)	28	96	36 x 54
AK434 (260-280)	28	96	36 x 54
AK434 (290)	28	96	36 x 54
AV432 (165-195)	21 1/2	60	30 x 36
AV432 (200-230)	22 1/2	72	30 x 42
AV432 (174-180)	21 1/2	60	30 x 36
AVX444 (180-198)	21 1/2	60	30 x 36
AVX444 (200-278)	23 1/4	72	30 x 42
AVX444 (278-288)	26 1/4	72	36 x 48
AVX446 (200-230)	23 1/4	72	30 x 42
AVX446 (258-288)	26 1/4	72	36 x 48

NOTE: Flanged piping may not fit within these dimensions