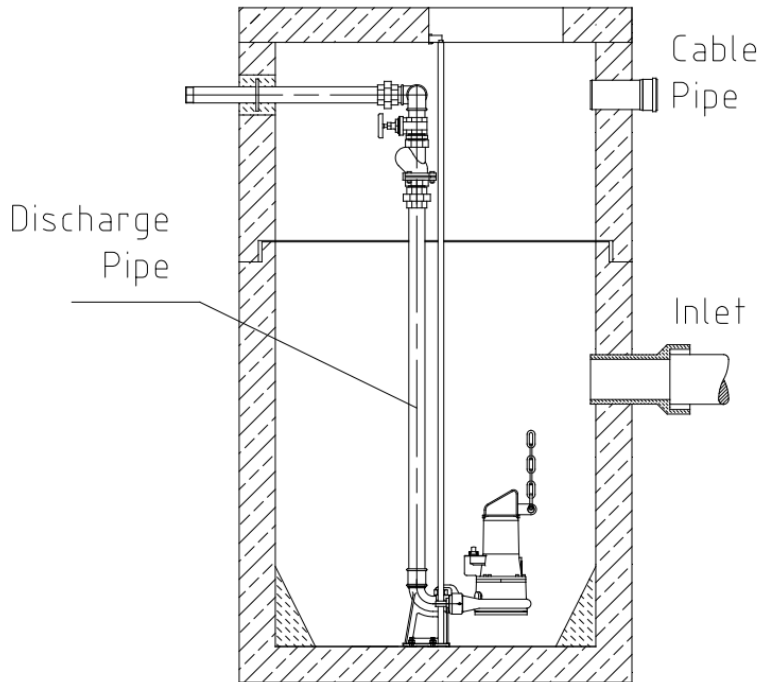
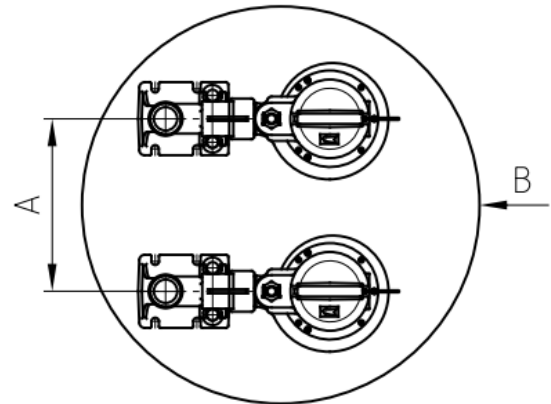


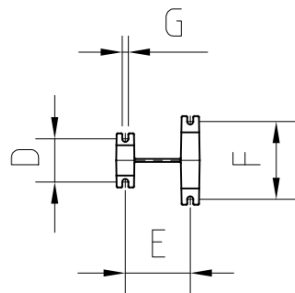
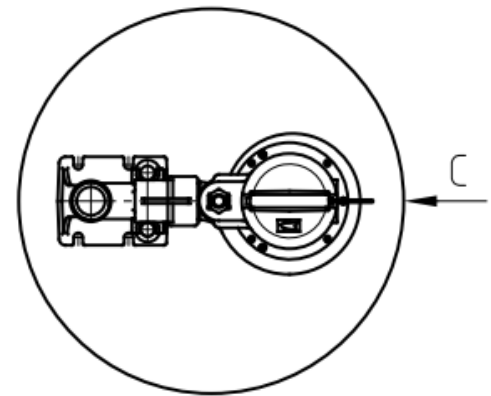
## Technical Pages



Duplex Arrangement



Simplex Arrangement



Model	Dimensional Minimums (Inches)			Anchor Bolt Dimensions (Inches)			
	Centerline Separation (A)	Duplex Basin Diameter (B)	Simplex Basin Diameter (C)	(D)	(E)	(F)	(G)
GRP12/19	11	30	24	5	5 3/8	5	1/2
GRP10-21 w/ 2" Autocoupling	11	30	24	4 1/2	3 1/8	4 1/2	1/2
GRP10-21 w/ 2 1/2" Autocoupling	11	30	24	4	6	7 1/4	1/2
GRP 24-41 w/ 2" Autocoupling	13	30	24	4 1/2	3 1/8	4 1/2	1/2
GRP 24-41 w/ 2 1/2" Autocoupling	13	30	24	4	6	7 1/4	1/2
GRP44-50 w/ 2" Autocoupling	14 3/4	36	24	4 1/2	3 1/8	4 1/2	1/2
GRP44-50 w/ 2 1/2" Autocoupling	14 3/4	36	24	4	6	7 1/4	1/2
GRP 59-118	13 1/2	42	36	10 3/4	8 3/8	10 3/4	3/4