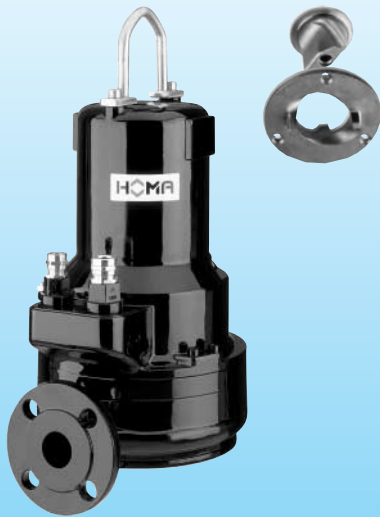
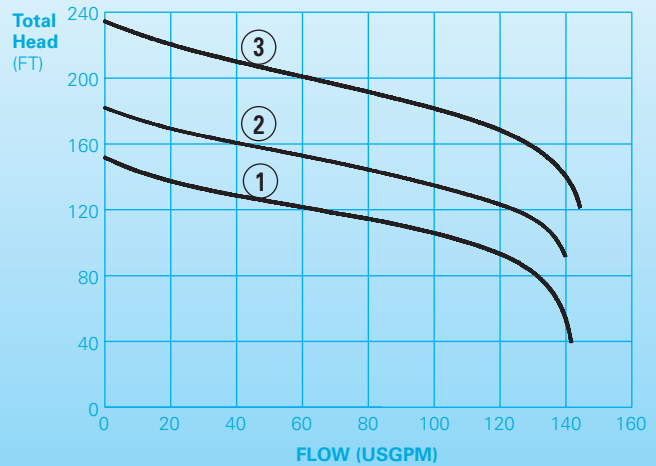


Electric Submersible Wastewater Pumps with Cutter System 2" Discharge

Barracuda GRP 59-118



Performance



Application

HOMA Barracuda GRP Grinder Pumps are designed for high-head pumping applications of waste water and sewage. Their hard stainless steel cutter system grinds all soft solids to small pieces, enabling the pumps to provide high pressure pumping at low motor rating. It also allows the use of cost saving small diameter pipework.

The Barracuda GRP 59 – GRP 118 series pumps are typically used in:

- Commercial wastewater and sewage
- Small municipal collection systems
- Waste treatment plants
- Industrial wastewater
- Effluent distribution systems
- Agricultural wastewater
- Processing plants
- Optional Factory Mutual (FM) label for Class I, Div 1 EX construction.

Features

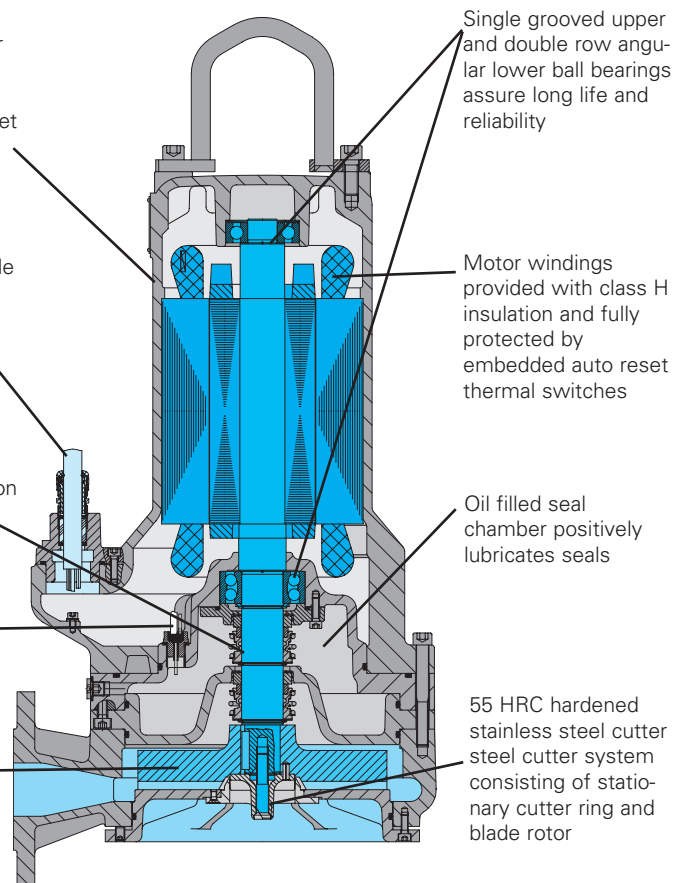
Cast iron construction with epoxy coating for maximum corrosion resistance. All models are available with jacket cooling for dry well installation or not fully submerged operation

Extra Long Replaceable power cable of 33' length is retained and sealed with a strain relief gland

Combination of two mechanical seals (Silicon Carbide / Silicon Carbide)

Seal leakage probe in motorhousing and oil chamber

Open multi-channel impeller for smooth vibration free operation



Motor Construction

Motor Type:

enclosed submersible

NEMA insulation code:

class H

Service Factor:

1.15

NEMA Design Type:

B

Standard Cable Length:

33 ft

Available Motor Voltages:

1 Phase: 200V, 230 V

3 Phase: 200 V, 230 V, 380 V,
460 V, 575 V

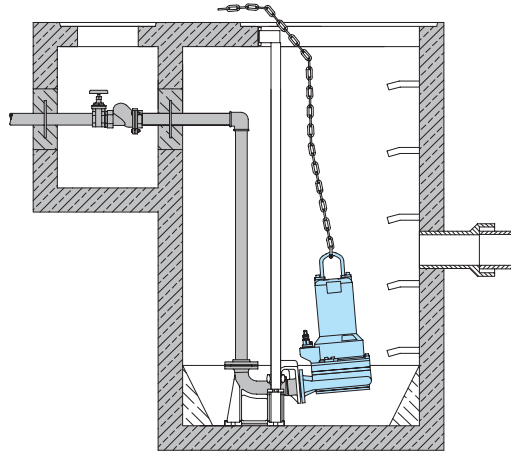
Optional Explosion Proof

construction:

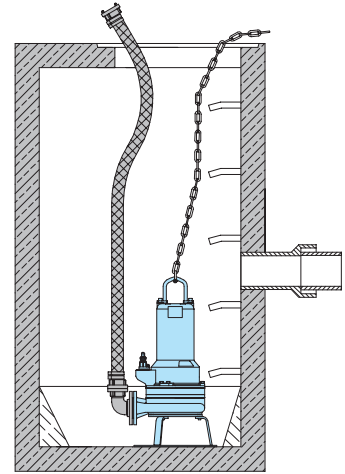
Factory Mutual approved for Class I,
Div. 1, Group C & D.

Installations

Wet pit with autocoupling



Basestand



Materials

Motor housing, Volute and Impeller:

Cast Iron ASTM A 48, class 40B

Mechanical seal – Impeller side:

Silicon Carbide vs Silicon Carbide

Shaft seal – Motor side:

Silicon Carbide vs Silicon Carbide

O-Rings

Nitrile rubber

Upper bearing:

Single grooved Ball Bearing

Lower bearing:

Double angular Ball Bearing

Power cable sheathing:

Nitrile rubber

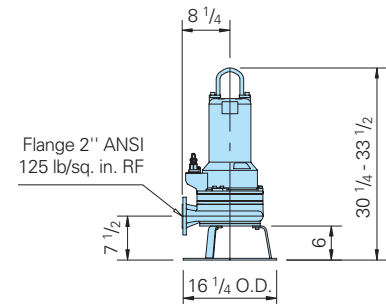
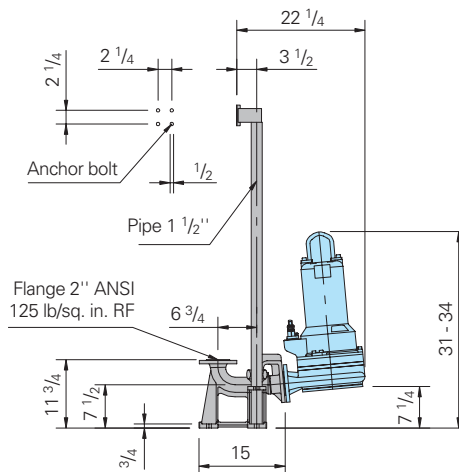
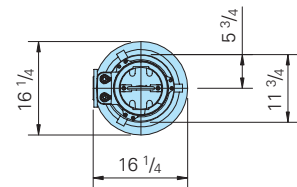
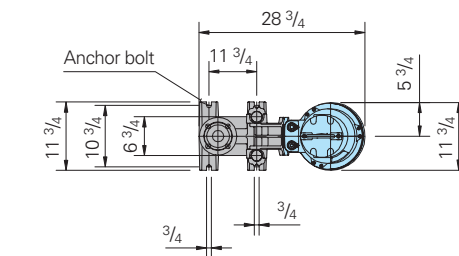
Shaft:

AISI 430 F

Fasteners:

AISI 304 SS

Dimensions (inches) (Tolerance +/- 1/4")



Technical Data

Curve No.	Pump Type	Rated B.H.P.	Phase	Voltage (V)	Full Load Amps	Speed (rpm)	Weight (LBS)	NEMA code
1	GRP59(U)/1	10.3	1	230	37.0	3450	238	F
2	GRP79(U)/1	12.6	1	230	44.8	3450	238	F
1	GRP59(U)/3	8.9	3	230/380/460	22.0/13.3/11.0	3450	238	G
2	GRP79(U)/3	8.9	3	230/380/460	22.0/13.3/11.0	3450	238	G
3	GRP118(U)/3	13.1	3	230/380/460	31.0/18.8/15.5	3450	238	J