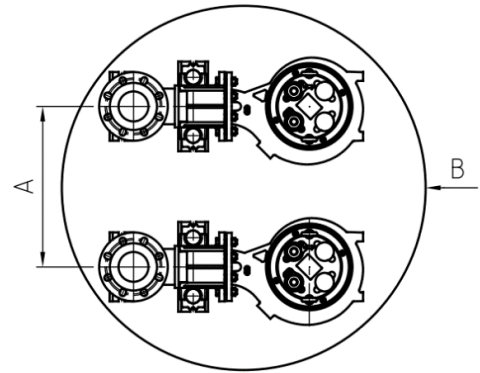
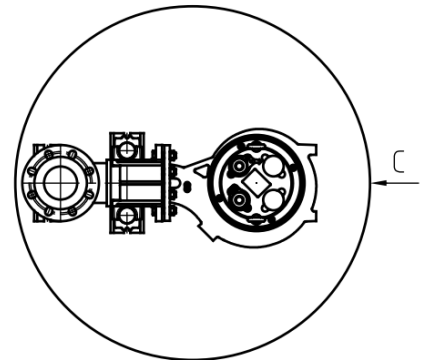


Duplex Arrangement



Simplex Arrangement



Model	Dimensional Minimums (Inches)		
	Centerline Separation (A)	Duplex Basin Diameter (B)	Simplex Basin Diameter (C)
AMS434/6 140-190	18	42	36
AMS434/6 200-230	21	48	42
AMS434/6 248-260	22 3/4	60	42
AMS444/6 210-230	19 3/4	48	42
AMS444/6 250-300	27	60	48
AMX434/6 142-206	18	42	36
AMX434/6 218-250	21	48	42
AMX444/6 180-190	18	42	36
AMX444/6 220-240	21	48	42
AMX444/6 260-310	27	60	48